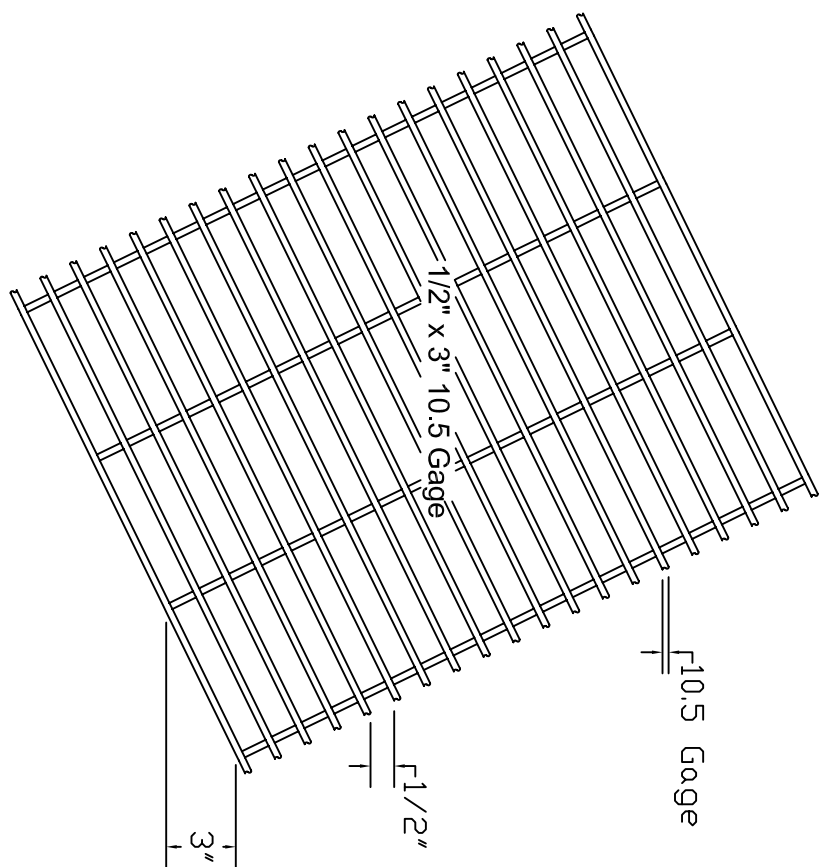


ITEM	PART NO.	DESCRIPTION	REQ.
------	----------	-------------	------



Welded Wire Security Fencing:
 Shall be fabricates from low carbon steel wire and electronically control welded, forming a specified mesh size. The wire shall conform to ASTM A 853 Grade AISI 1008, having a nominal tensile strength of 83,000 psi (572 Mpa). After welding, the fabric can be hot-dipped galvanized in accordance with ASTM A 123.

Vinyl Clad Fence Fabric or Polyester Coatings:
 Contact Manufacture for information, Riverdale Mills Corp.
 1-800-762-6374

IF IN DOUBT-ASK	LTR	REVISION	ECN	APP	DATE
-----------------	-----	----------	-----	-----	------

THIS DRAWING IS THE PROPERTY OF RIVERDALE MILLS CORPORATION AND CONTAINS PROPRIETARY INFORMATION PROTECTED BY COPYRIGHT AND/OR TRADE SECRET LAWS. NEITHER THIS DRAWING NOR ITS CONTENTS MAY BE DISCLOSED OR REPRODUCED BY ANY MEANS WHATSOEVER, IN WHOLE OR IN PART, WITHOUT THE PRIOR, WRITTEN CONSENT OF RIVERDALE MILLS CORP.	TOLERANCE UNLESS SPECIFIED FRACTION DECIMAL ANGULAR 1/64 ±.005 ± 1/2°	DRAWN DSS DATE 10/07/01 CHECKED APPROVED PRODUCT MODEL FENCING	MATERIAL NOTED FINISH NEXT ASS'Y	DIMENSIONS SHOWN ARE AFTER PLATING OR FINISHING.	SCALE DD NOT SCALE DWG NTS DWG NO. SEC-02005	REV.
	TITLE RIVERDALE RIVERDALE MILLS CORPORATION NORTHBRIDGE, MA 01534	1/2" X 10.5 GA. WIRE MESH				

FILE: SEC-02005