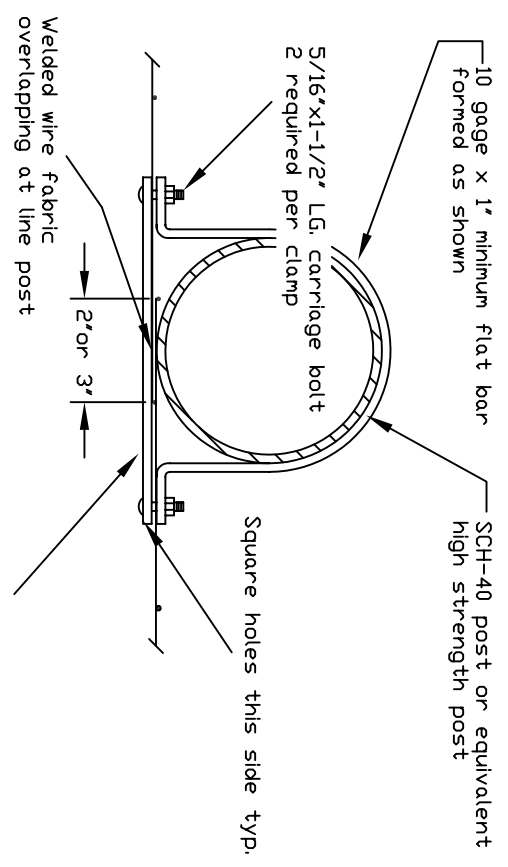
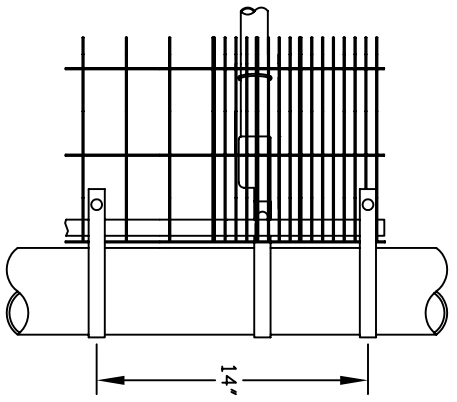


ITEM	PART NO.	DESCRIPTION	REQ.
------	----------	-------------	------



Clamps available for 3", 3-1/2", 4", 6-5/8", and 8-5/8" diameter post/
 For additional information contact manufacturer.

IF IN DOUBT-ASK

THIS DRAWING IS THE PROPERTY OF RIVERDALE MILLS CORPORATION AND CONTAINS PROPRIETARY INFORMATION. IT IS TO BE KEPT IN CONFIDENTIALITY AND NOT TO BE REPRODUCED OR TRANSMITTED IN ANY FORM OR BY ANY MEANS, WITHOUT THE PRIOR WRITTEN CONSENT OF RIVERDALE MILLS CORP.		TOLERANCE UNLESS SPECIFIED FRACTION 1/64 DECIMAL ±.005 ANGULAR ±1/2°		DRAWN DSS DATE 06/27/01 CHECKED APPROVED		RIVERDALE MILLS CORPORATION NORTHBRIDGE, MA 01534	
MATERIAL NOTED		FINISH		PRODUCT MODEL FENCING		TITLE ROUND POST BRACKET OPTIONS	
DIMENSIONS SHOWN ARE AFTER PLATING OR FINISHING.		NEXT ASS'Y		SCALE DO NOT SCALE DWG NTS		Dwg No. A-2472	
FILE: A-2472		LTR		REVISION		EGN APP DATE	